

# CURARE 20

**SECTION A-A**

**SECTION B-B**

**SECTION C-C**

**SECTION D-D**

**SECTION E-E**

**SECTION F-F**

**SECTION G-G**

**Wing Cutouts:** W1, W2, W3, W4, W5, W6, W7, W8, W9, W10, W11, W12

**Ribs:** F1, F2, F3, F4, F5, F6, F7, F8, F9, F10, F11, F12, F13, F14, F15, F16, F17, F18, F19

**Wing Ribs:** V1, V2, V3, V4

**Spar:** TB1

Länge	Length	全長	1090 mm	43"
Spannweite	Wing span	全幅	1200 mm	47 1/4"
Flächeninhalt	Wing area	主翼面積	27.6 dm <sup>2</sup>	428 SQ.IN.
Fluggewicht	Weight	全備重量	1.4 - 1.5 kg	3 - 3.5 LB.
Motor	Engine	エンジン	19 - 25	3 - 4ccm
Fernsteuerung	R C mecha	R C メカ	3 - 5 ch.	
Entwurf	Designed	設計	Hans and Hanno PRETTNER	

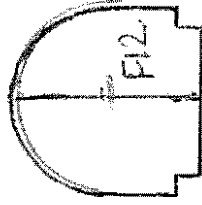
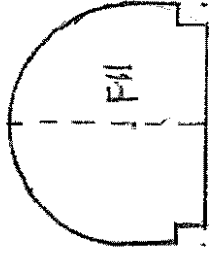
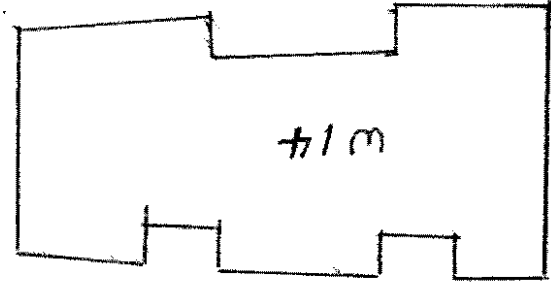
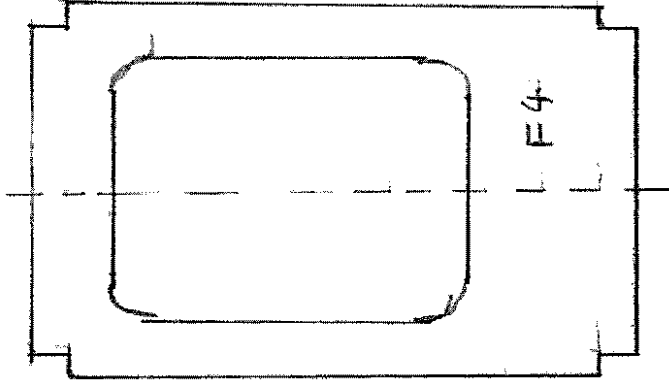
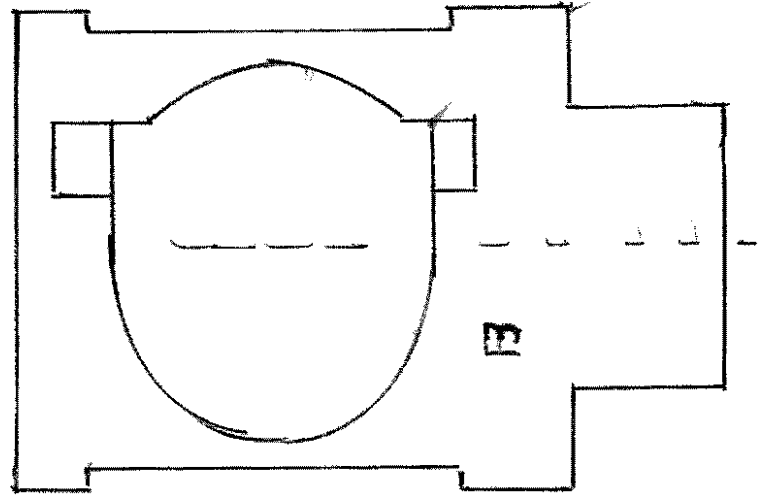
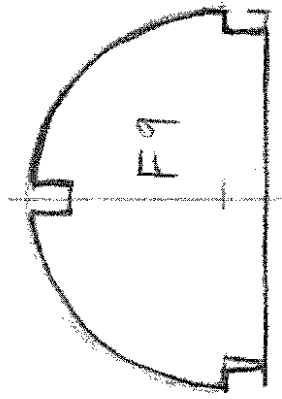
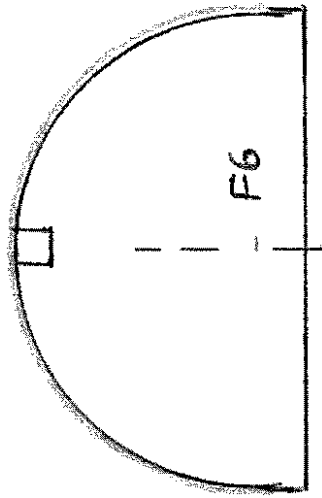
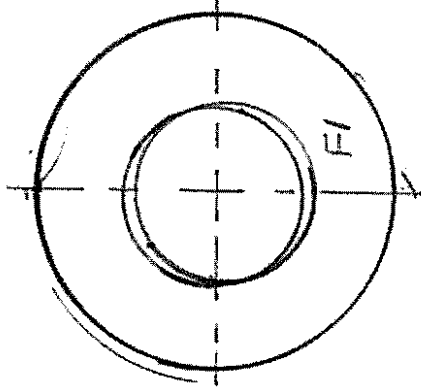
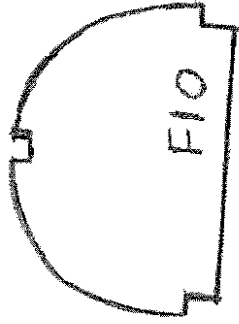
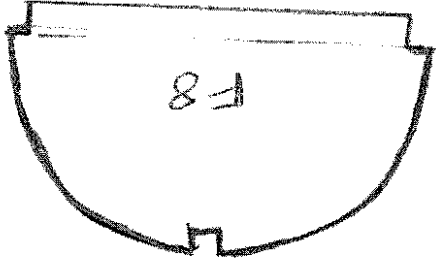
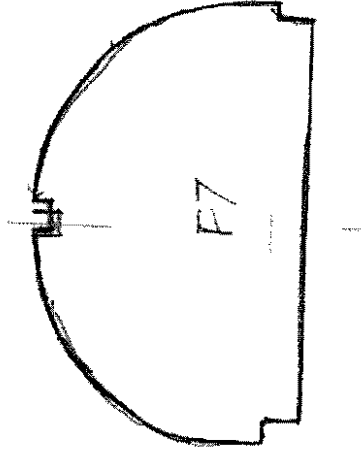
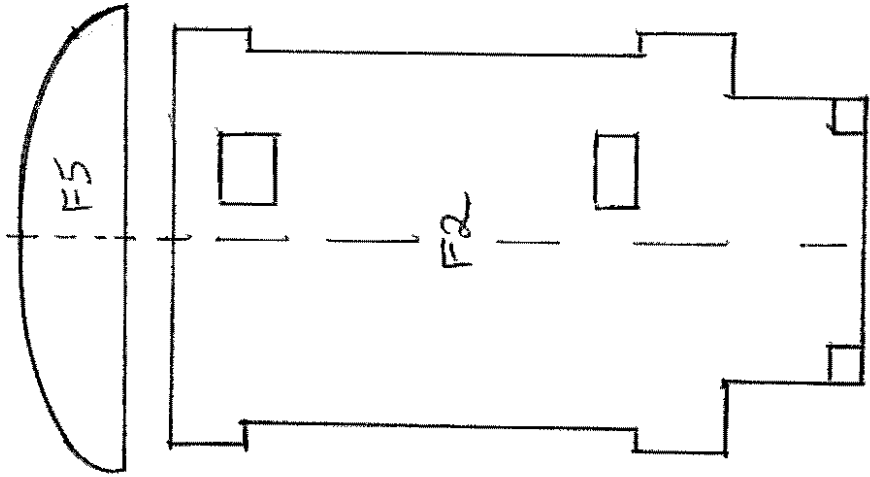
**Color Scheme:**

- Dark Green: SCHWARZ-GRÜN
- Orange: ORANGE
- White: WEISS
- Yellow: GELB
- Red: ROT

**Wing:** CURARE 20

**Motor:** 19-25

KATO MODEL AIRCRAFT CO. LTD. PRINTED IN JAPAN



11K CURARE 20 WING RIBS.  
2MM Balsa.

