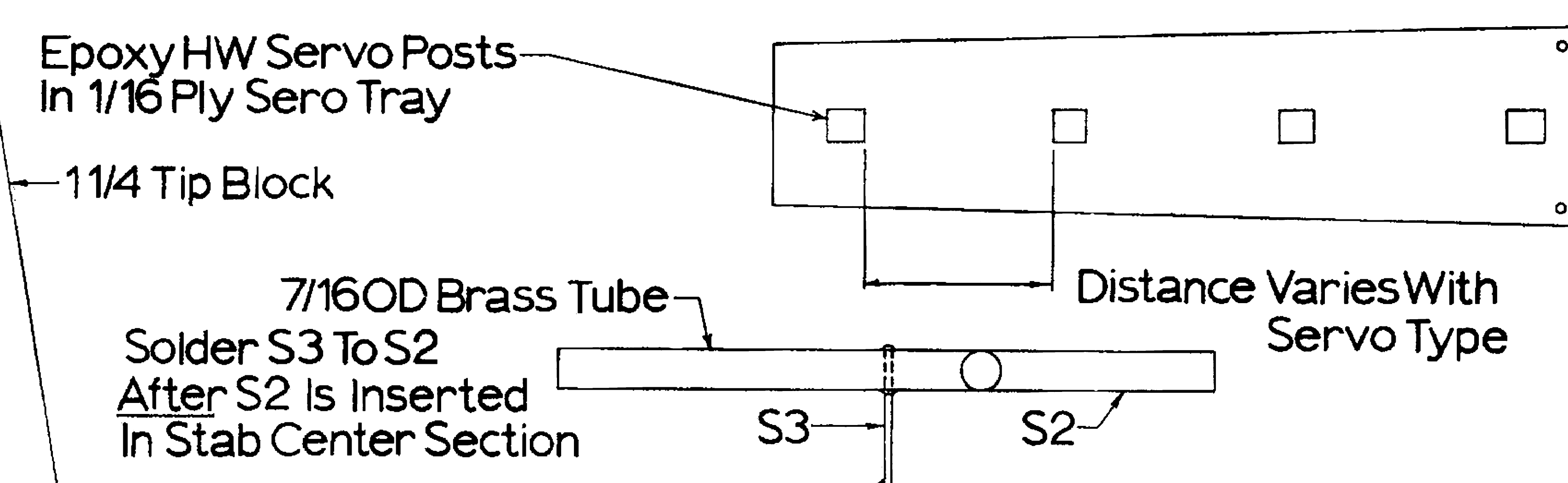
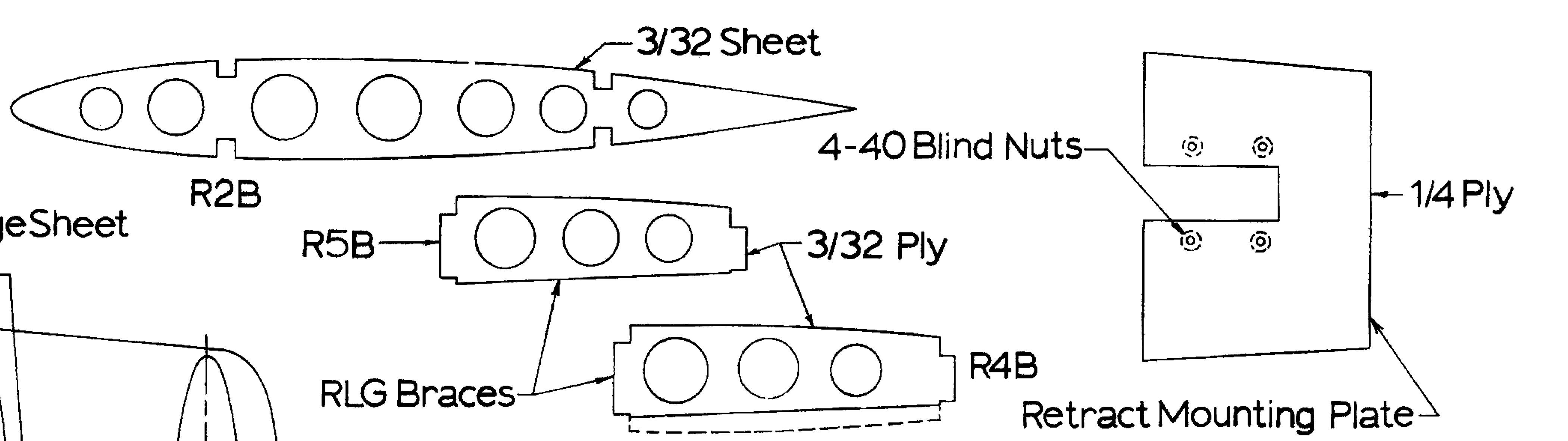
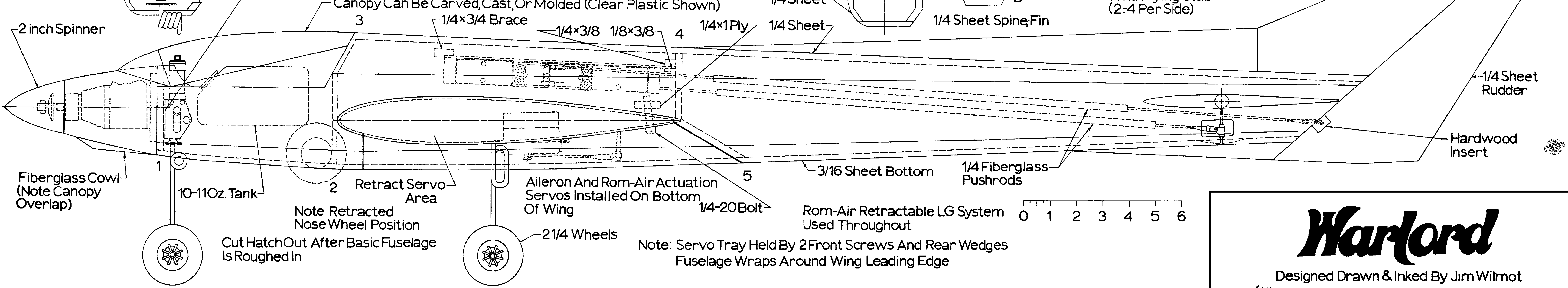
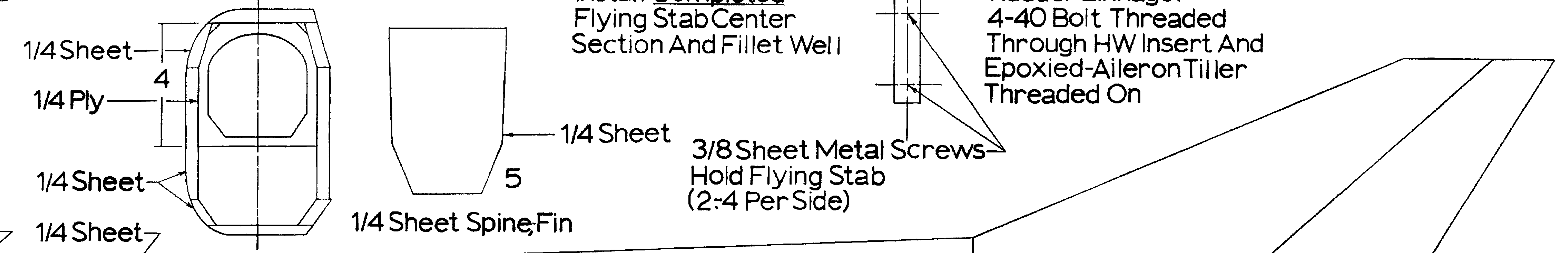
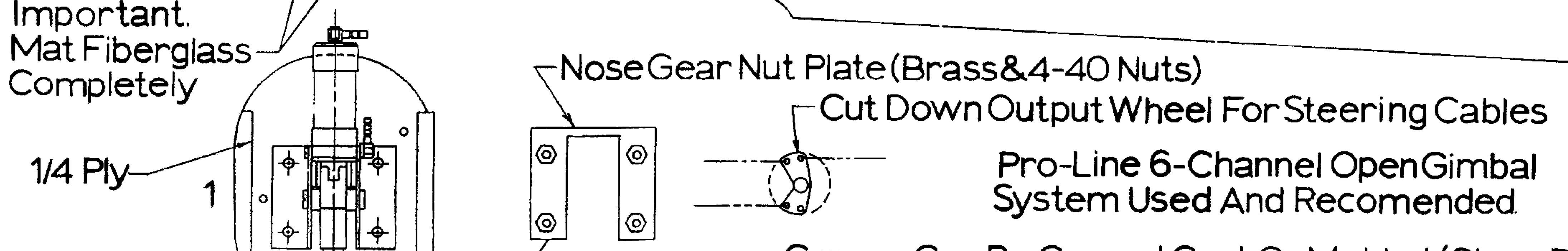
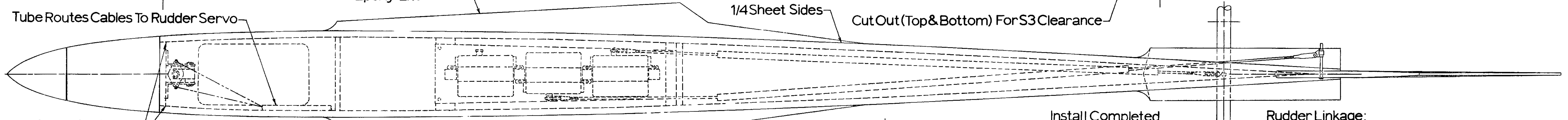
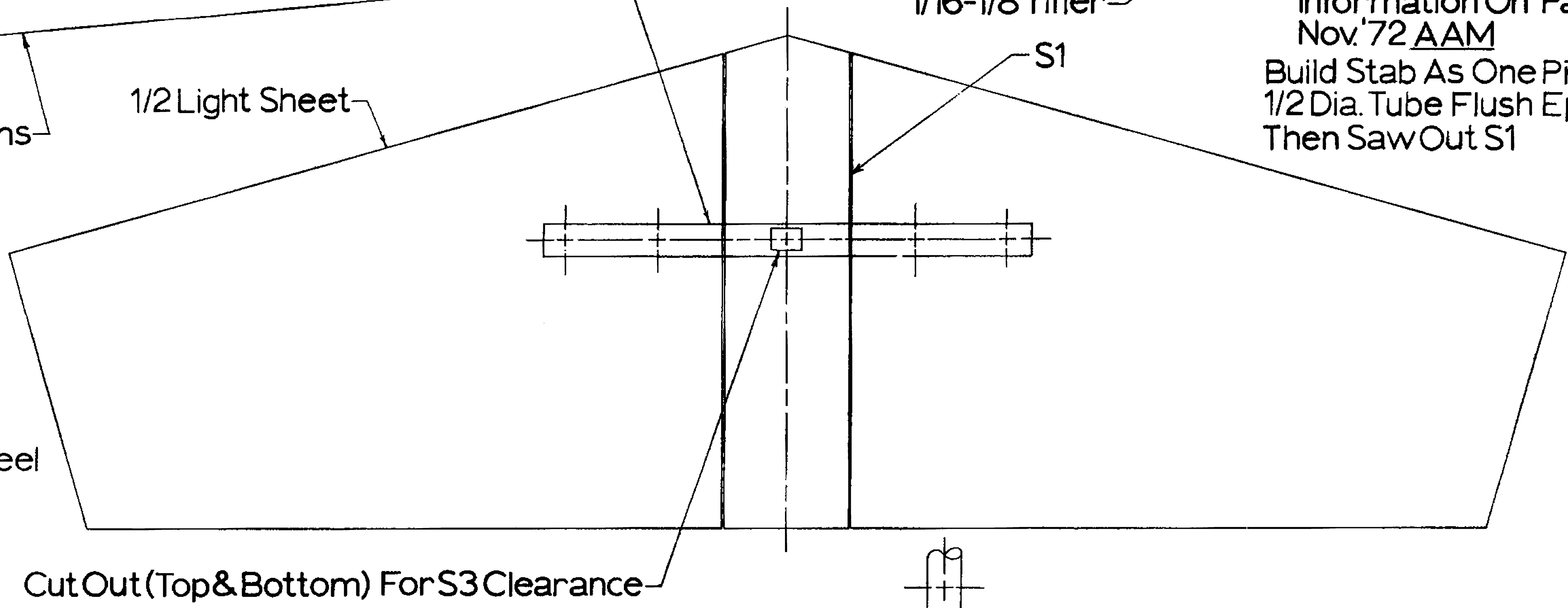
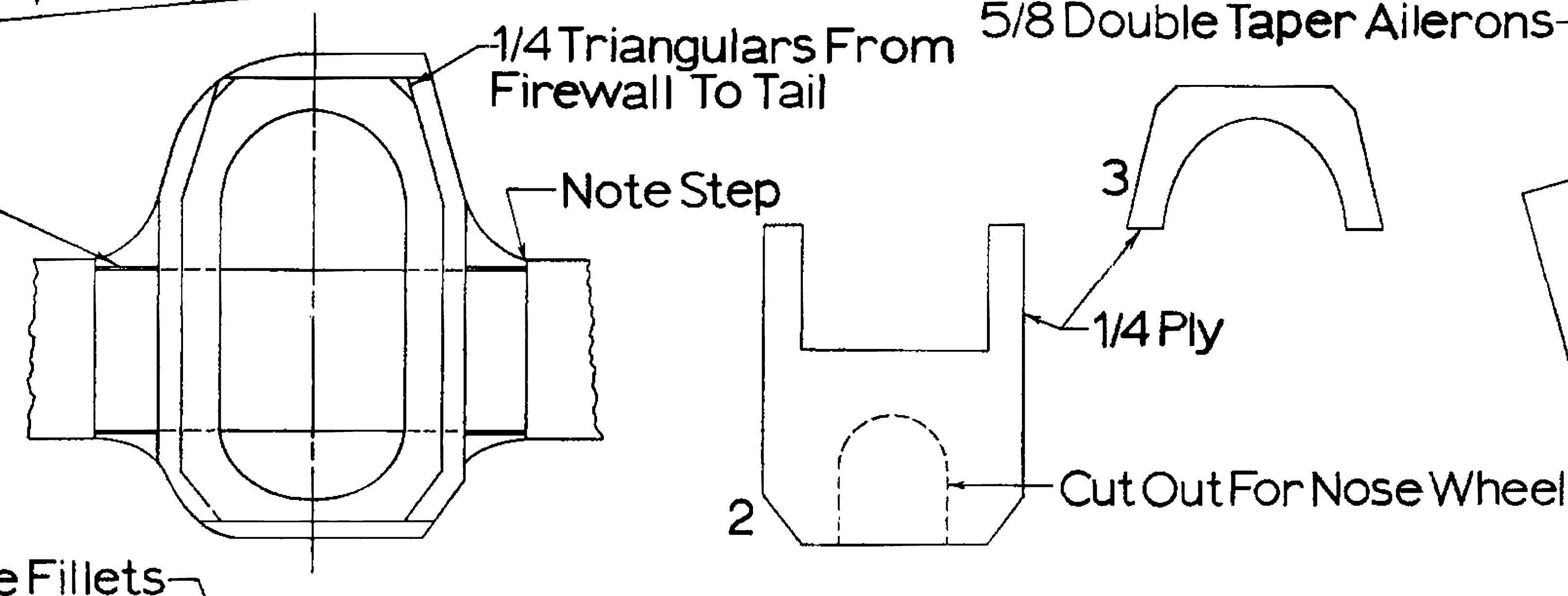
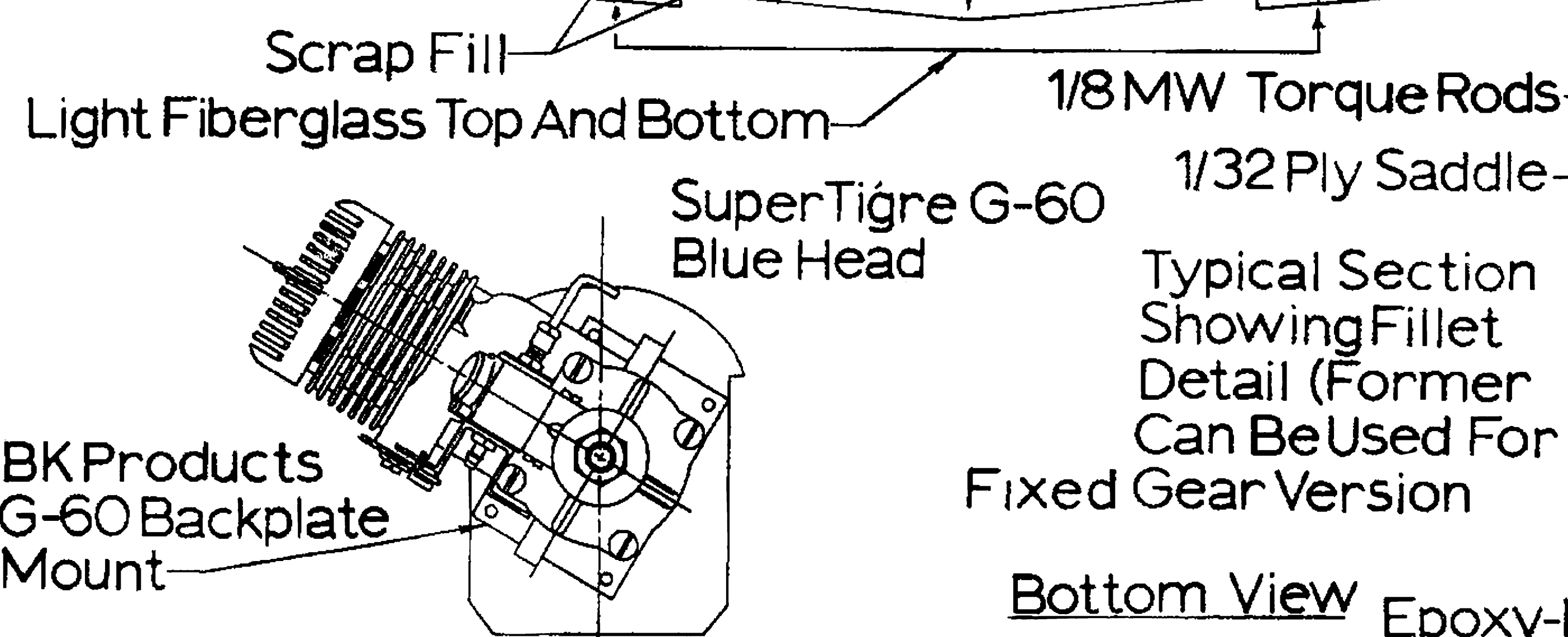


1/8 Ply Dihedral Brace
 3/32 Sheet Over Fiberglassed Center Section
 R2B
 Stall Strips Required Above 3000 Feet Alt. Or Weights Over 7 1/2 Lbs.
 Sheet To R4 (Top)
 Sheet To R5 (Bottom)

All Wood Is 3/32 Sheet Unless Noted
 3/32x3/8 Cap Strips
 6 Inch Formed Leading Edge Sheet
 1/4x1/4 1/4x1



Additional Flying Stab Information On Page 45 Nov. '72 AAM
 Build Stab As One Piece With 1/2 Dia. Tube Flush Epoxied Then Saw Out S1



Warlord
 Designed Drawn & Inked By Jim Wilmot
 for AMERICAN AIRCRAFT MODELER